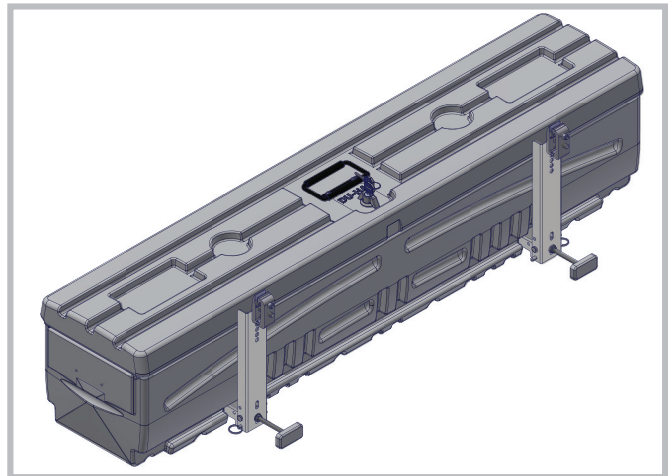


## DU-HA Humpstor (For trucks with Tonneau Cover)

### Tools Needed:

- // Hex Key Wrench 1/8"
- // 2 Open-End Wrenches - 1/2"
- // Socket - 1/2"
- // Wrench or Socket - 3/8"
- // 2 Wrenches or Sockets - 7/16"
- // Hex Key Wrench 7/32"

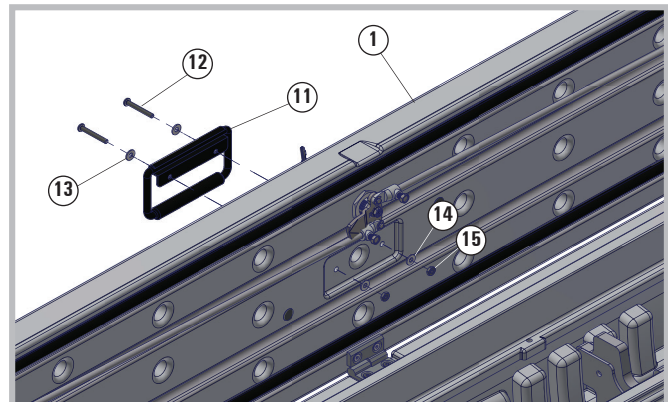
## Installation Instructions:



### STEP 1 - Attach Handle to Lid

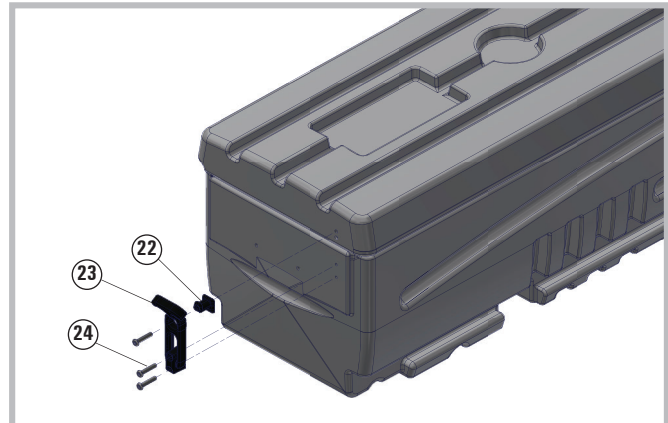
Place Handle (11) over holes in Lid Top. Insert two Bolts #10 x 1.5" (12) through Handle (11), Flat Washer - #10 (13) and Humpstor Lid (1). Secure with Flat Sealing Washer (has a rubber backing) - #10 (14) and Lock Nut #10 (15) Use 1/8" Hex Key Wrench.

Note: Handle may already be installed.



### STEP 2 - Attach Rubber T-Handles

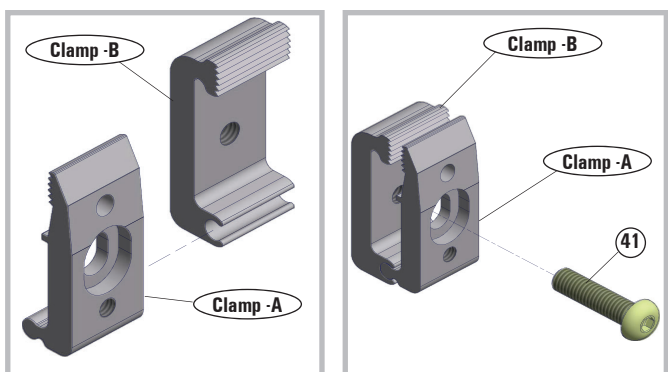
Place Rubber T-Handle (23) over inserts in Base (2). Insert two Bolts #10-32 x 1.0" (24) through T-Handle (23) and use 1/8" Hex Key Wrench to tighten into the inserts, on each end, T-Handle should point outward when in the up position. Next install the Rubber T-Handle Keeper (22) on the lid, make sure the alignment knob on the back of the T-Handle Keeper lines up with the recess in the lid (1) and secure in place with one Bolt #10-32 x 1.0" (24) by inserting through the T-Handle Keeper (22) and thread into the insert in the lid, on each end.



### STEP 3 - Assemble Rail Clamps

Assemble Rail Clamp set (34) by sliding A and B parts of the clamps together and insert the Button Head Bolt 3/8" x 1-1/2" (41) through the top slot on part A and thread into threaded hole on part B. Leave clamp loose so you can slide it onto the rail of the truck.

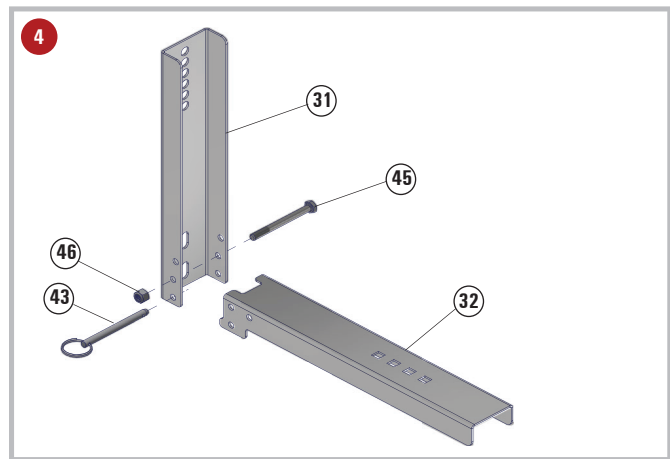
Note: If you are using the Toyota / Nissan Installation Kit or the optional Topper Installation Kit no clamp assembly is required.



## STEP 4 - Assemble Brackets

To assemble the brackets use a Bolt 1/4 x 1-3/4 (45), insert the bolt through the 2nd hole from the bottom of the vertical support bracket (31) and through the top back hole of the horizontal support bracket (32) and secure with 1/4 Nylock nut (46) (do not over tighten). Insert the Pin 1/4 x 1-3/4 (43) through the bottom hole through both brackets.

Note: The bracket can be pivoted up out of the way if you remove the Humpstor. Just pull the pin, pivot the horizontal support bracket up and pin up with the pin using the top hole and go through both brackets.

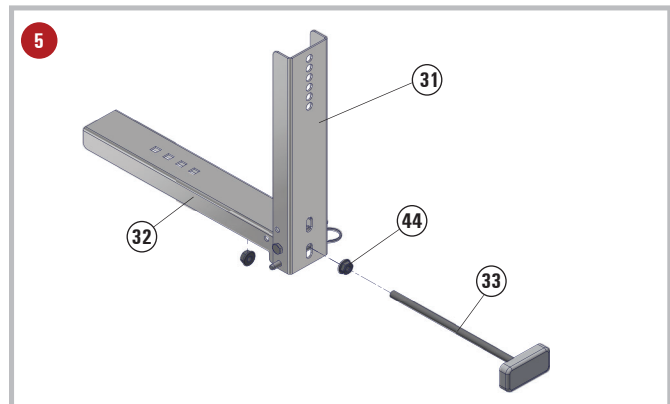


## STEP 5 - Attach Stabilizer Foot

Attach one Stabilizer Foot (33) to Support Bracket (31) by threading one Flange Nut - 5/16" (44) onto Stabilizer Foot (33) shaft and insert through one of the lower slots on vertical support bracket (31). Where the rubber pad on the Stabilizer Foot (33), rests on your truck bed wall will determine which slot to use, it should rest on a flat surface. Thread a second Flange Nut (44) onto Stabilizer Foot (33) shaft sandwiching the Bracket (31) in between. Leave loose for now as this will get adjusted during installation into truck.

Hint: Flanged side of nuts (44) should face Bracket.

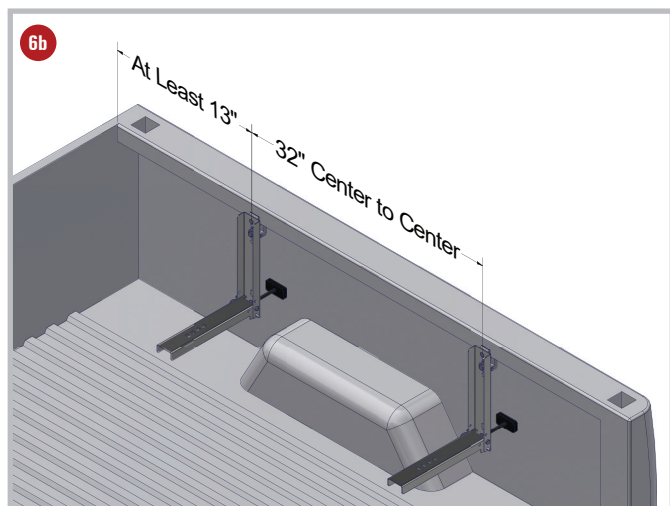
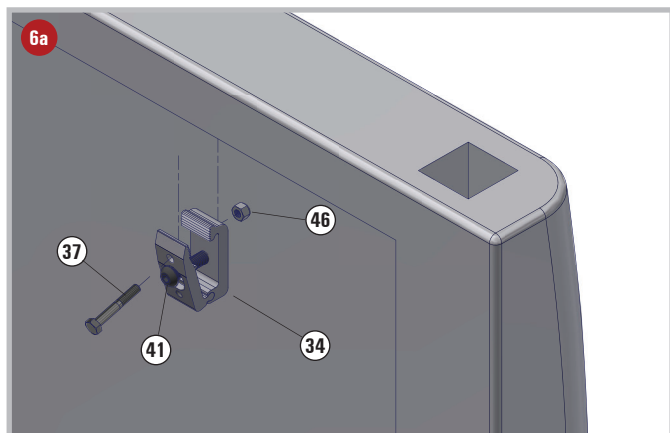
Note: Excess portion of stabilizer foot can be cut off after installation is complete.



## STEP 6 - Attach Rail Clamps to Truck

**Note: If you have a Toyota or Nissan with the accessory rail proceed to step 7B.**

Look at your bed rail to determine where to attach your rail clamps (34), find locations where you can attach the clamps 32" apart, you will need about 13" from the center of the clamp to your truck bed so you still have room to operate the end Rubber T-Handles (23) on the Humpstor (2). Attach Rail Clamps (34) to truck bed rail by sliding clamps onto truck bed rail from the bottom of the rail, slide onto rail as far as possible. Secure to rail using Bolt Button Head 3/8" x 1-1/2" (41) tighten firmly with 7/32" Hex Key Wrench (as shown in diagram 6a), make sure to keep clamps vertical and position at 32" center to center as (shown in diagram 6b). For a more secure connection you can drill a hole through your truck bed rail, use the top hole in the clamp as a guide. Use the provided 1/4 x 1-3/4" hex bolt (37) and 1/4" nylock nut (46) to secure clamp to bed rail.

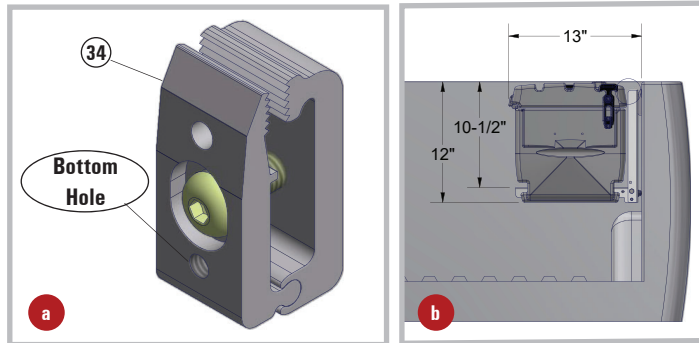
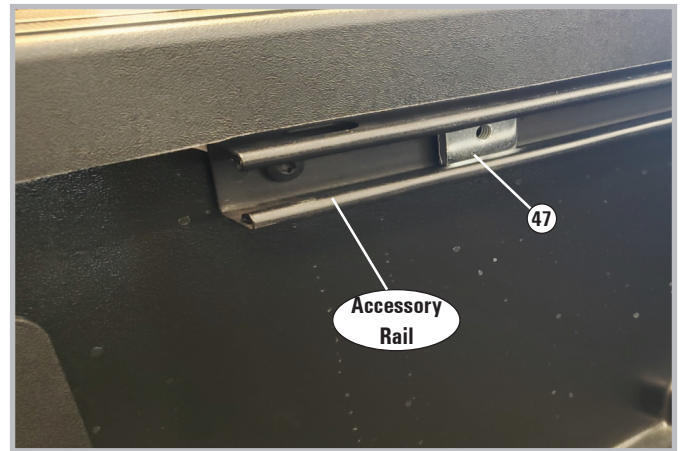
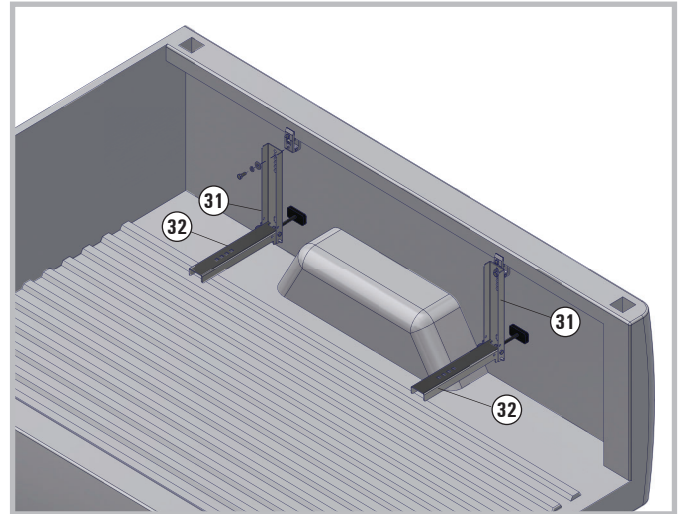
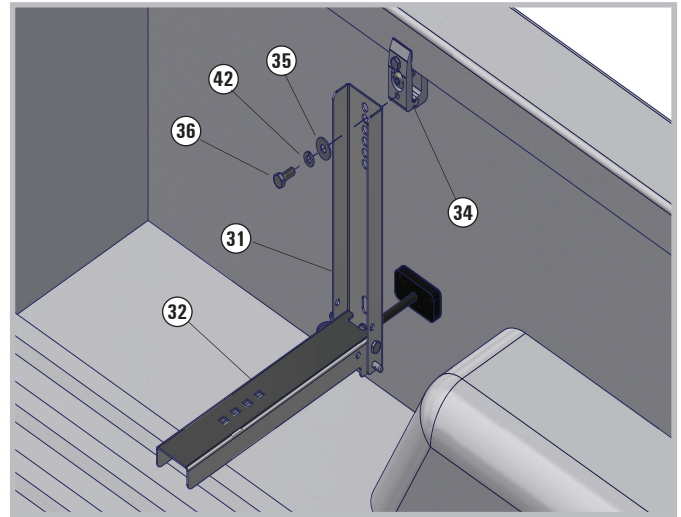


## STEP 7 - Attach Brackets to Rail Clamps

If you have a Toyota or Nissan with the accessory rail proceed to step 7B.

Attach Support Brackets (31) to Rail Clamps (34) using Hex Bolt 5/16" x 3/4" (36), Flat Washer 5/16" (35), Lock Washer 5/16" (42), using one per Rail Clamp set (34), insert through hole in vertical support bracket (31) and thread into bottom hole in Rail Clamp, as shown below in view (a). Which hole to use will be determined by where you want the top of the Humpstor to be positioned. Position the support brackets (31) about 10-1/2" from the top down to the top of the horizontal channel brackets (32) where the Humpstor sits, as shown below in view (b). Use hole closest to this position.

Level bracket assembly, its recommended to have the outside edge of the bracket tipped up slightly so once the weight of the Humpstor and its contents are set on the brackets it will level out the brackets. Level the brackets by adjusting each Stabilizer Foot (33) by adjusting the Flange Nuts (44) on the Stabilizer Foot. The Stabilizer Foot should contact the side of the truck box, position Stabilizer Foot so it will contact a flat surface. You can use top or bottom slot in bracket and turn stabilizer foot vertical or horizontal. If desired after installation is complete you can cut off any excess threaded rod on the stabilizer foot.



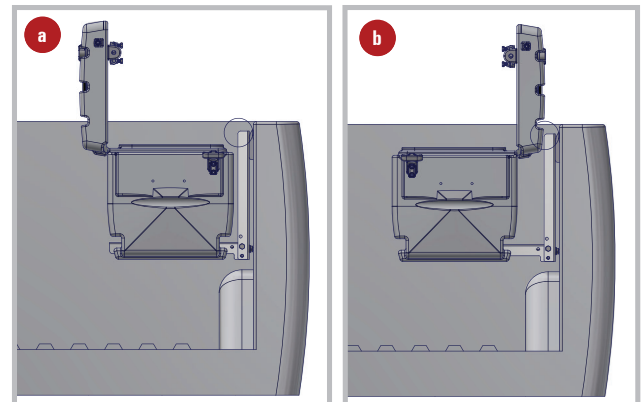
## STEP 7B - Attach Brackets to Accessory Rail

If you have a Toyota or Nissan truck that came with the accessory rail in the bed, you can use the provided rectangular nuts (47) to attach your brackets to the side rail of your truck. To attach take the rectangular nut (47) and slide it into the end of the accessory rail, there may be a plastic cap you have to remove to slide the nut inside the rail. On the Toyota the nut will slide in horizontally and on a Nissan the nut will slide in vertically. Position the nuts 32" apart center to center at your desired location and should be about 13" from the center of the rectangular nut (47) to your truck bed so you still have room to operate the end Rubber T-Handles (23) on the Humpstor (as shown in diagram 6b on previous page). Attach the brackets to the rectangular nuts (47) at your desired height using Hex Bolt 5/16" x 1" (48), Flat Washer 5/16" (35) and Lock Washer 5/16" (42).

## STEP 8 - Attach Humpstor to Brackets

### Humpstor Positions

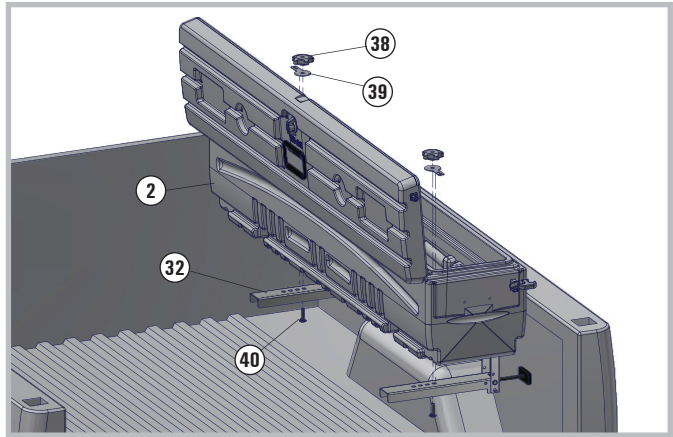
The Humpstor can be mounted with the lid opening toward the inside of the truck bed (a) or with the lid opening toward the outside of the truck bed (b). The assembly steps and hardware are the same other than the orientation of the Humpstor.





**Humpstor Attachment**

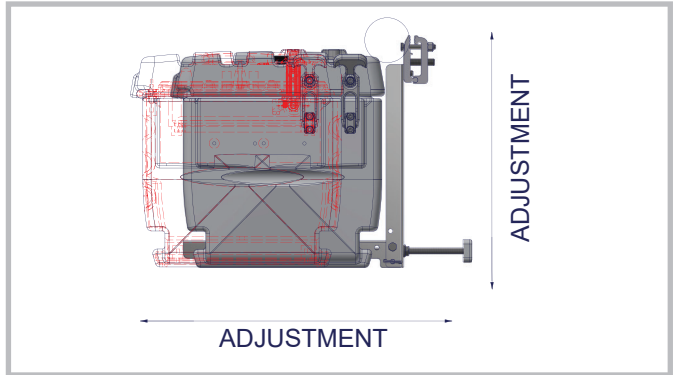
Place the Humpstor (2) onto the Support Brackets (32) so the molded-in channels on the Humpstor sit over the brackets. Insert Carriage Bolt - 5/16" x 1-1/4" (40) through bottom hole on the Support Brackets (32) in your desired position and through the hole in the bottom of the Humpstor (2). Next from inside the Humpstor place the retaining washer (39) on the previously installed carriage bolt and thread the star knob (38) onto the carriage bolt and tighten (the retaining washer can be positioned inward or outward). To remove Humpstor reverse these steps and pull pin to pivot bracket up. Note: To secure guns or items inside the Humpstor use bungee cords to go around items and secure to the hole in the retaining washer (one each end). Bungee cords are not provided.



**Humpstor Adjustment**

Position Humpstor at desired location by where you position the carriage bolt in the square hole in the horizontal support bracket (32). For example, in a roll-up cover the Humpstor should be moved away from the side rail of the truck bed to allow the lid to open; for open-bed, the Humpstor should be as close as possible to the bed rail of the truck. To adjust the Humpstor vertically mount the vertical support bracket (31) to the rail clamp (34) or rectangular nut (47) using the desired hole in the vertical bracket (31), use same hole selection on each bracket. Make sure Humpstor is level, then tighten all hardware connections.

Note: Humpstor should be positioned as high and as close to the rail as possible while still allowing the lid to open properly.



**STEP 9 - Install Organizer / Gun Holders**

**Foam Organizer / Gun Holders / Stiffeners**

Place each Foam Organizer / Gun Holder / Stiffener assembly (3) into the channel slots in the side walls of the Humpstor (2), facing opposing directions. They can be positioned in 3 locations on each end or in the center of the Humpstor. To install rotate horizontally above slot and rotate downward and slide into slot.

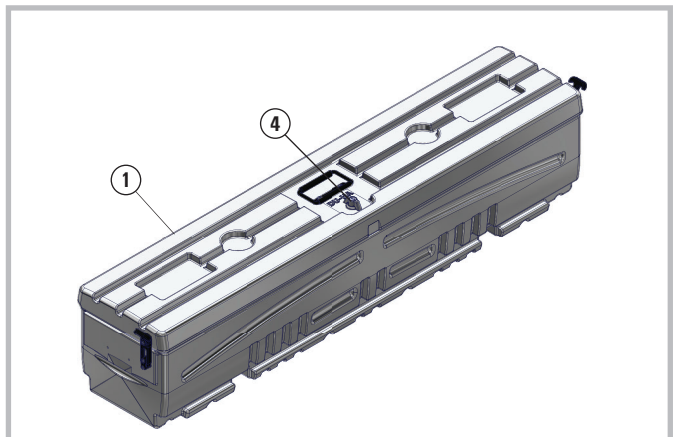
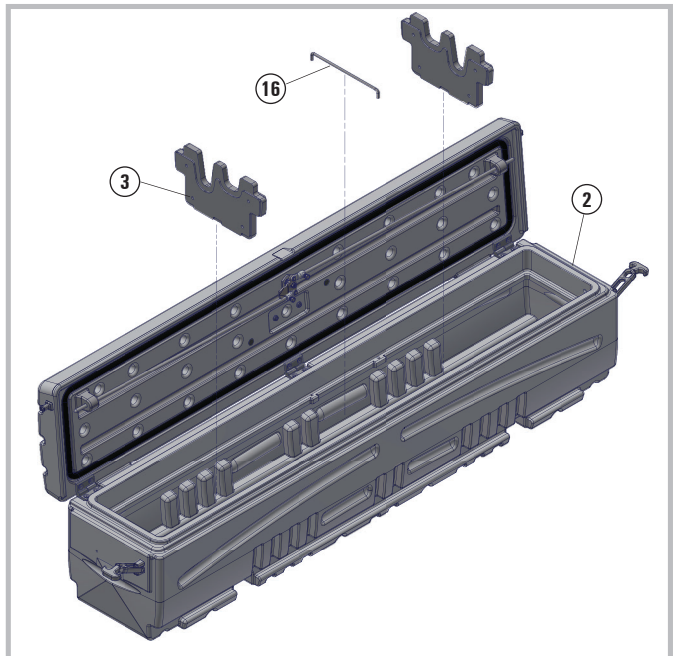
Note – Stock of gun should rest in large groove; barrel should rest in small groove.

**Center Brace**

To maximize strength and stability, use the Center Brace (16). Insert each end into the holes on the top lip of the Humpstor (2) at the middle. To access cargo, lift front side of Center Brace out of the hole and rotate the Center Brace out of the way to the right and insert into storage hole on back side. Return Center Brace to front hole when finished.

**Closing and Locking the Humpstor**

To close the Humpstor shut the lid and secure end T-Handles by grabbing the top of the rubber handle and pull up and secure onto the Rubber T-Handle keeper (22) on each end. Next on top of the lid (1) turn the Wing Knob 1/4 Turn Latch (4) counter clockwise to engage locking mechanism. To lock Humpstor, use the provided key. Insert key with teeth facing away from you into Wing Knob 1/4 Turn Latch (4) and turn counter clockwise to lock and clockwise to un-lock.



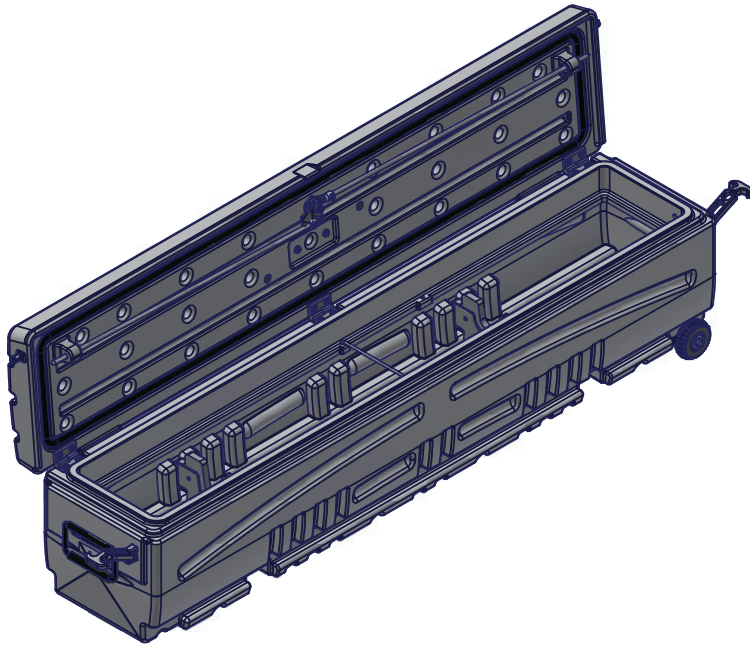
**Safety Instructions:**

**Warning: 75 LBS CAPACITY – DO NOT EXCEED 75 POUNDS OF CARGO IN THE HUMPSTOR.** CAUTION – Do not store explosives or hazardous materials in the HUMPSTOR.

Do not place loaded guns in the HUMPSTOR.

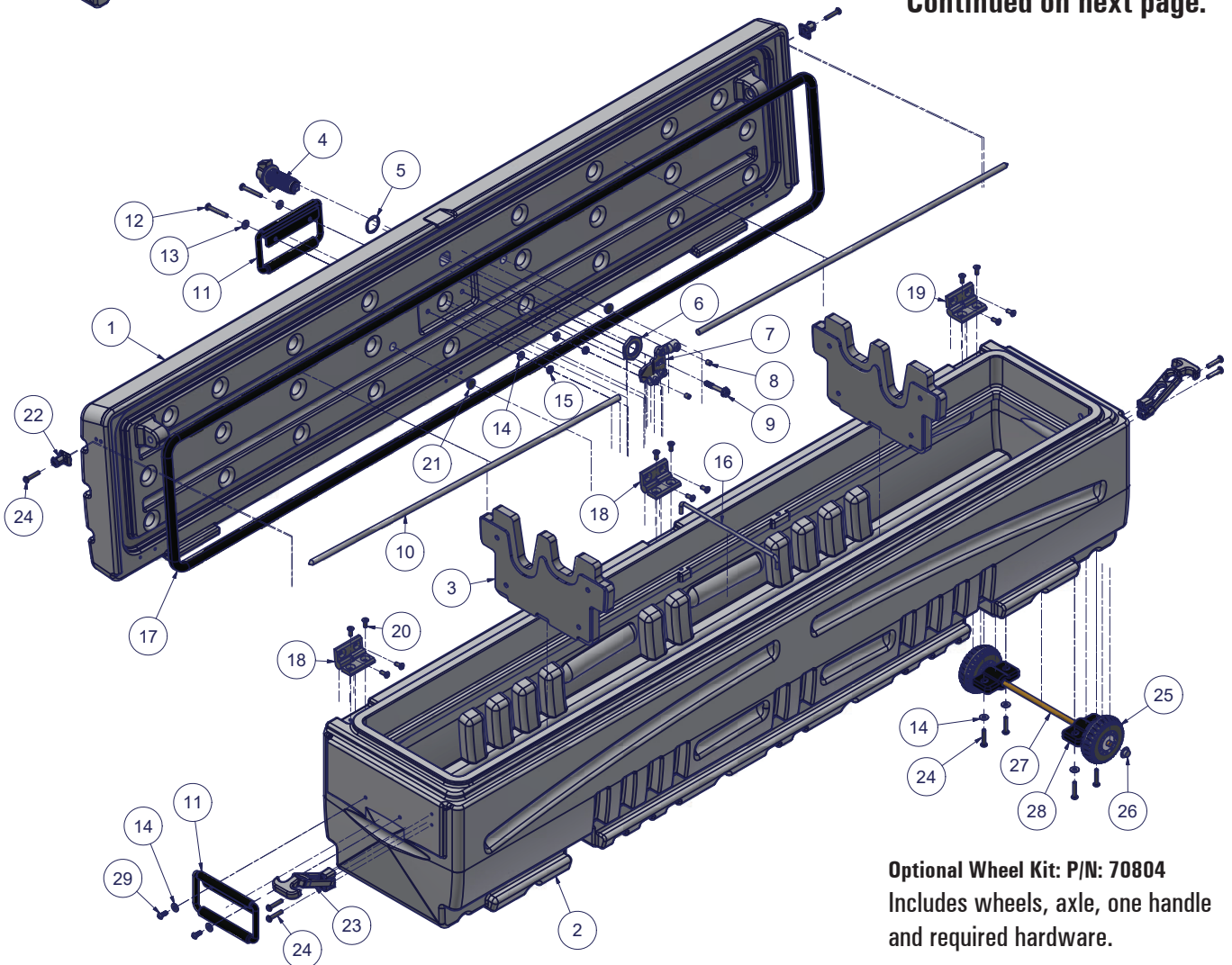
For further instructions refer to the vehicle owners manual or contact DU-HA, Inc.

# Exploded View / Parts List



Parts List			
ITEM	QTY	PART NUMBER	DESCRIPTION
1	1	--	Humpstor Lid - 2021 with Text
2	1	70800	Humpstor 2021 Main Body
3	1	Divider 70800	Divider Pkg Assm - DU-HA Humpstor 2021
4	1	1001232	Wing Knob 1/4 Turn Latch \ Lock
5	1	--	Sealing Washer - Comes with Wing Knob Lock
6	1	--	Nut Hex 7/8 - Comes with Wing Knob
7	1	1001233	Actuator - 3 PT Steel Cam
8	2	1001270	Set Screw Hex Socket SS
9	1	--	Bolt - Comes with Wing Knob Lock
10	2	1001234	Rod - Locking
11	2	1001044	Handle - 90 Degree Metal- Spring Loaded
12	2	1001006	Screw #10-24 x 1.50
13	8	1001143	Washer - Flat #10 x 1/2 OD SS
14	2	1001244	Washer - Bond Seal #10 SS
15	2	1001144	Nut Nylock #10-24 SS
16	1	1001239	Humpstor Center Wire Brace
17	10'	1001236	Gasket D-Shape 1/2" x 1/2"
18	2	1001257	Hinge Die Cast 50mm x 50mm - Left Hand
19	1	1001256	Hinge Die Cast 50mm x 50mm - Right Hand
20	12	1001258	Screw Countersunk #10-32 x 1/2" SS
21	2	1001139	Hole Plug 1/2"
22	2	1001235	Latch - Rubber T-Handle Keeper
23	2	1001235	Latch - Rubber T-Handle
24	10	1001260	Screw #10-32 x 1" SS
25	2	1001132	Wheel with Tread - For 5/16" Rod
26	2	1001023	Axle Cap Nuts 5/16"
27	1	1001237	Axle Rod 5/16" x 11-1/8" - Humpstor
28	2	1001063	Axle Bushing
29	2	1001259	Screw #10-32 x 1/2" SS
30	1	1001240	Hardware Box with Rail Clamps

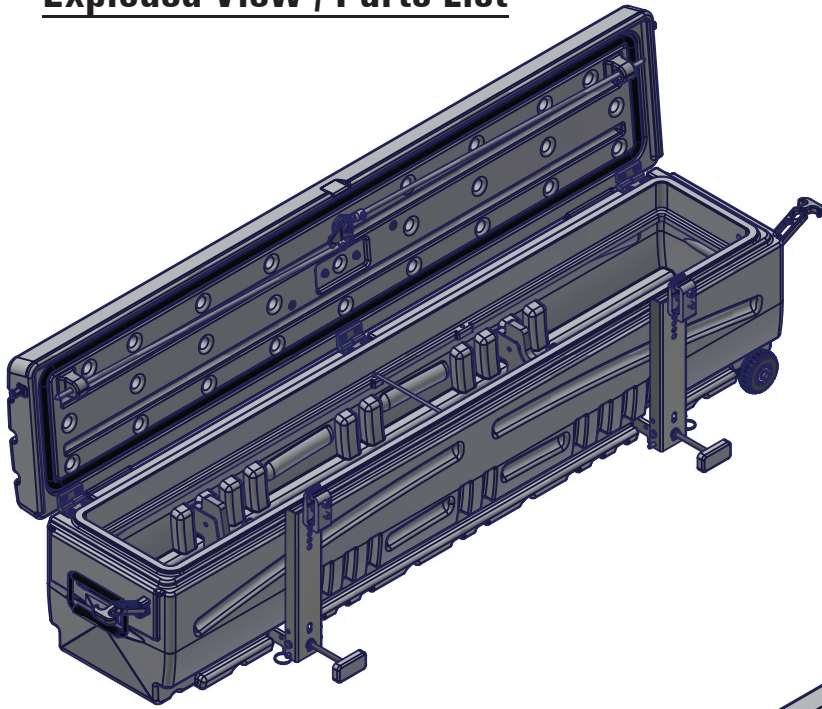
**\*\* Continued on next page.**



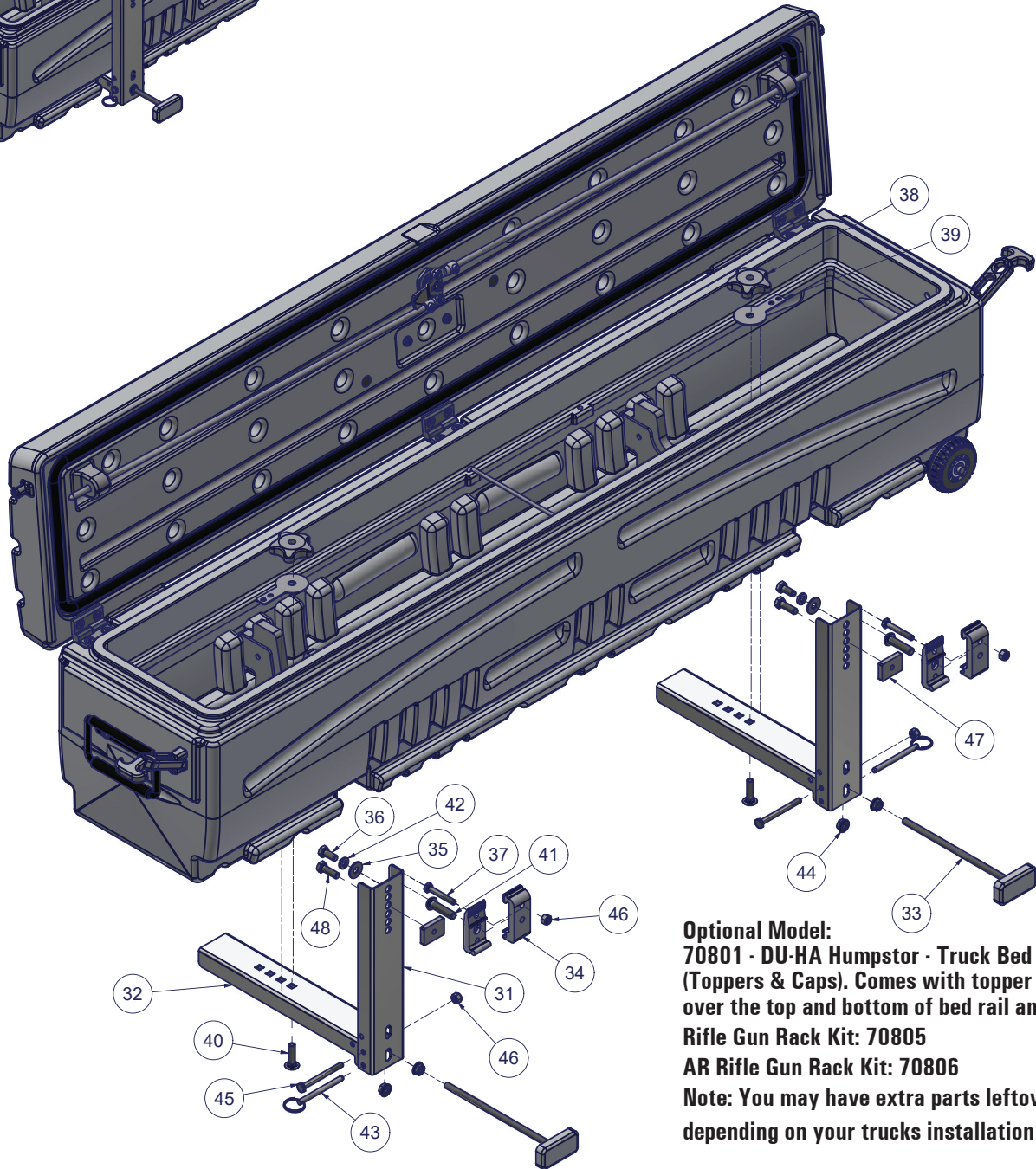
**Optional Wheel Kit: P/N: 70804**  
Includes wheels, axle, one handle and required hardware.



**Exploded View / Parts List**



Parts List			
ITEM	QTY	PART NUMBER	DESCRIPTION
--	1	70800	Humpstor 2022
--	1	1001240	Hardware Box with Rail Clamps
31	2	1001246	Humpstor Vertical Support Bracket
32	2	1001247	Humpstor Horizontal Support Bracket
33	2	1001238	Stabilizer Foot
34	2	1001051	Humpstor Rail Clamp Assy
35	2	1001012	Washer Flat 5/16 Zinc
36	2	1001008	Bolt Hex 5/16-18 x 3/4
37	2	1001207	Bolt Hex 1/4 -20 x 1-3/4
38	2	1001223	Knob - 5 Star with 5/16-18 thread
39	2	1001245	Humpstor Retaining Washer
40	2	1001248	Carriage Bolt 5/16"-18 x 1-1/4"
41	2	1001109	Button Head Bolt 3/8-16 x 1-1/2
42	2	1001011	Washer Lock 5/16"
43	2	1001242	Pin Detent 1-4 x 2-1-4
44	4	1001154	Flange Nut - 5/16-18
45	2	1001243	Bolt Hex 1/4-20 x 2-3/4
46	4	1001122	Nut Nylock 1/4-20
47	2	1001029	Toyota / Nissan Bed Rail Nut
48	2	1001037	Bolt Hex 5/16-18 x 1.00



**Optional Model:**  
 70801 - DU-HA Humpstor - Truck Bed Storage (Toppers & Caps). Comes with topper clamps, clamp over the top and bottom of bed rail and topper.  
**Rifle Gun Rack Kit: 70805**  
**AR Rifle Gun Rack Kit: 70806**  
**Note:** You may have extra parts leftover, depending on your trucks installation option.